



Válvula Esférica Acero al Carbono - Marca SUN



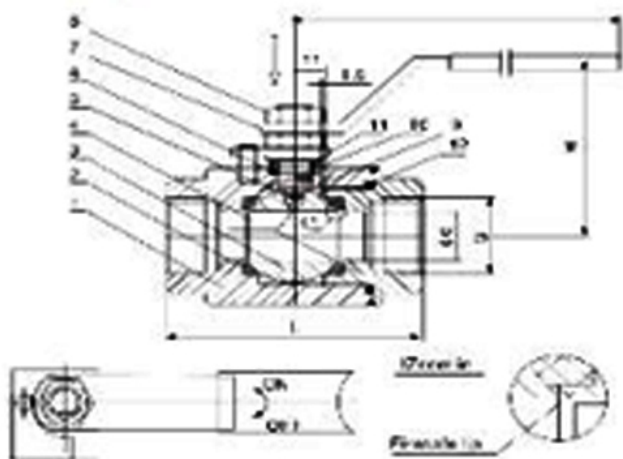
1000PIS (PN6.4), 2PC, Full Bore

FEATURE

- 2PC Body Full bore
- Design and manufactured: BS5351
- test and check: API598
- Size 1/2" to 2"
- Anti-Static Device
- Working Pressure: 2000psi
- Fire-safetu
- Threaded End: BSPT. NPT. DIN2999

MAIN PARTS AND MATERIALS

(mm)



NO	PART NAME	MATERIAL	QTY
1	Body	A105N F316	1
2	Seal	PTFE	2
3	Ball	316	1
4	Cap	A105N F316	1
5	Stem	316	1
6	Packing	Graphite	1
7	Handle	304	1
8	Stem Nut	304	2
9	Anti static devise	ss	2
10	Stem sealing	ptfe	1
11	Gland	ss316	1
12	Gasket	Graphite	2

DIMENSIONS

Np3	OI	G	L	H	W
1/4	6	1/4" - 1BNPT	60	55	120
3/8	10	3/8" - 1BNPT	60	60	120
1/2	12.7	1/2" - 14NPT	75	65	150
3/4	17.5	3/4" - 14NPT	80	72	150
1	22	1" - 11 - 1/2NPT	90	80	170
1-1/4	28.5	1-1/4" - 11 - 1/2NPT	110	80	170
1-1/2	35	1-1/2" - 11 - 1/2NPT	120	105	240
2	47.5	2" - 11 - 1/2NPT	140	111	240

