

D142

Bronze Swing Check Valve

PN32

Features & Benefits

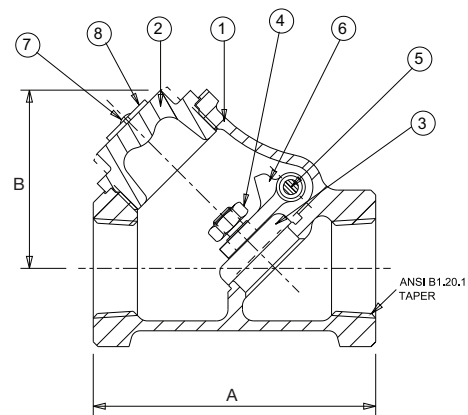
- Check valves permit flow in one direction only and close automatically if flow reverses.
- Entirely automatic in action, depending upon pressure and velocity of flow within the line to perform their functions of opening and closing
- The Crane D142 bronze check valve is of the swing variety

Materials

NO.	MATERIAL	SIZES
Body	Bronze BS EN 1982 CC491K	1/4 - 3/4" 1 - 3"
Cap	Bronze BS EN 1982 CC491K	
Disc	Brass BS EN 12164 CW721R	
Disc	Bronze BS EN 1982 CC491K	
Hinge	Nut Brass BS 2874 CZ121	
Hinge	Pin/Plug DZR Brass BS EN 12164 CW602N	
Hinge	Bronze BS EN 1982 CC491K	
Drive Pin	Steel-Electro Brass	
ID Plate	Aluminium	



Dimensional Drawing



Dimensions & Weights

SIZE (inch)	WEIGHT (kg)	A (mm)	B (mm)
1/4	0.26	54	37
3/8	0.25	54	37
1/2	0.39	62	43
3/4	0.62	76	52
1	1.07	94	65
1 1/4	1.65	110	76
1 1/2	2.56	126	89
2	4.05	152	108
2 1/2	6.4	186	134
3	9.3	218	160

PRESSURE RATING: PN32

TEMPERATURE OPERATING RANGE: -10 to 260°C

UK END CONNECTION: BS 21 Taper

OPERATOR: Swing Check, Screwed in Cap. Can be mounted vertically as long as flow is upwards

SPECIFICATION: Valves are manufactured in accordance with BS 5154 for Series A ratings. Design is of the Y-Pattern having flat regrindable swing disc and integral regrindable body seat. The disc is retained on the hinge by a locked nut and is free to swivel. The hinge pin is retained by an external threaded plug. Valves having ANSI threads also generally conform to MSS SP-80. This valve is not suitable for use on Group 1 gases or unstable fluids, as defined by the Pressure Equipment Directive 97/23/EC.*

* See page 251 for more information