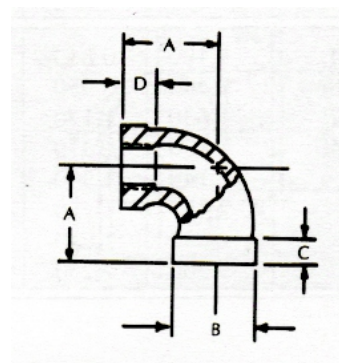




Clase 150

CODO C/REFUERZO 90° HIERRO MALEABLE

MEDIDA	A	B	C	D
1/8	.690	.690	.208	.250
1/4	.810	.810	.210	.320
3/8	.950	1.010	.230	.360
1/2	1.120	1.200	.250	.430
3/4	1.310	1.460	.270	.500
1	1.500	1.770	.300	.580
1 1/4	1.750	2.150	.340	.670
1 1/2	1.940	2.430	.70	.700
2	2.250	2.960	.420	.750
2 1/2	2.700	3.590	.480	.920
3	3.080	4.280	.550	.980
4	3.790	5.400	.660	1.080
6	5.130	7.770	.900	1.280



CODO REDUCCION 90°, C/REFUERZO HIERRO MALEABLE

MEDIDA	A	B	C	D	E	F	G	H
1/2 x 3/8	1.040	1.030	1.200	1.010	0.430	0.360	0.250	0.230
3/4 x 1/2	1.200	1.220	1.460	1.210	0.500	0.430	0.270	0.250
1 x 1/2	1.260	1.390	1.770	1.200	0.580	0.430	0.300	0.250
1 x 3/4	1.370	1.450	1.770	1.460	0.580	0.500	0.300	0.270
1 1/4 x 3/4	1.450	1.620	2.150	1.460	0.670	0.500	0.340	0.270
1 1/4 x 1	1.580	1.670	2.150	1.770	0.670	0.580	0.340	0.300
1 1/2 x 1	1.650	1.800	2.430	1.770	0.700	0.580	0.370	0.300
1 1/2 x 1 1/4	1.820	1.880	2.430	2.150	0.700	0.670	0.370	0.340
2 x 1 1/4	1.900	2.100	2.960	2.150	0.750	0.670	0.420	0.340
2 x 1 1/2	2.020	2.160	2.960	2.430	0.750	0.700	0.420	0.370

