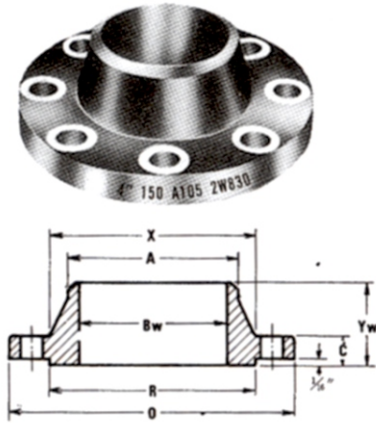




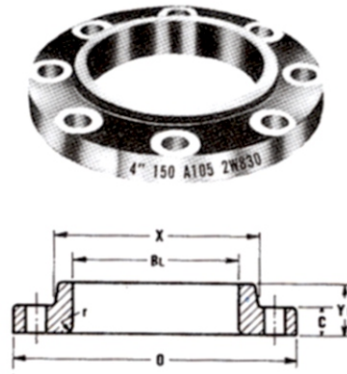
# ANSI B16.5 FORGED FLANGES

## 150 LB

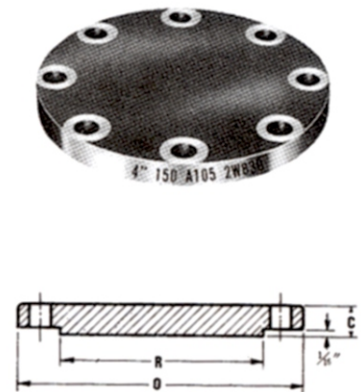
WELDING NECK



LAP JOINT



BLIND



Radius of Filed r	Minimum thread length T	Depth of Socket D	Drilling				Center-to-End			Nominal Pipe Size
			Dia. of Bolt Circle	Number Of Bolts	Dia. of Bolts	Dia. of Bolts Holes	Stud Bolts		Machine Bolts 1/16" R.F.	
							1/16" Raised Face	Ring Joint		
1/8	5/8	3/8	2 3/8	4	1/2	5/8	2 1/4	-	1 3/4	1/2
1/8	5/8	7/16	2 3/4	4	1/2	5/8	2 1/4	-	2	3/4
1/8	1 1/16	1/2	3 1/8	4	1/2	5/8	2 1/2	3	2	1
3/16	13/16	9/16	3 1/2	4	1/2	5/8	2 1/2	3	2 1/4	1 1/4
1/4	7/8	5/8	3 7/8	4	1/2	5/8	2 3/4	3 1/4	2 1/4	1 1/2
5/16	1	11/16	4 3/4	4	5/8	3/4	3	3 1/2	2 3/4	2
5/16	1 1/8	3/4	5 1/2	4	5/8	3/4	3 1/4	3 3/4	3	2 1/2
3/8	1 3/16	13/16	6	4	5/8	3/4	3 1/2	4	3	3
3/8	1 1/4	7/8	7	8	5/8	3/4	3 1/2	4	3	3 1/2
7/16	1 5/16	15/16	7 1/2	8	5/8	3/4	3 1/2	4	3	4
7/16	1 7/16	15/16	8 1/2	8	3/4	7/8	3 3/4	4 1/4	3 3/4	5
1/2	1 9/16	1 1/16	9 1/2	8	3/4	7/8	3 3/4	4 1/4	3 3/4	6
1/2	1 3/4	1 1/4	11 3/4	8	5/8	7/8	4	4 1/2	3 1/2	8
1/2	1 15/16	1 5/16	14 1/4	12	7/8	1	4 1/2	5	3 3/4	10
1/2	2 3/16	1 3/16	17	12	7/8	1	4 1/2	5	4	12
1/2	2 1/4	1 5/8	18 3/4	12	1	1 1/8	5	5 1/2	4 1/4	14
1/2	2 1/2	1 3/4	21 1/4	16	1	1 1/8	5 1/4	5 3/4	4 1/2	16
1/2	2 15/16	1 15/16	22 3/4	16	1 1/8	1 1/4	5 3/4	6 1/4	4 3/4	18
1/2	2 7/8	2 1/8	25	20	1 1/8	1 1/4	6	6 1/2	5 1/4	20
1/2	3 1/4	2 1/2	29 1/2	20	1 1/4	1 3/8	6 3/4	7 1/4	5 3/4	24

The 1/16" Raised Face is included in Thickness C and Length Y.

