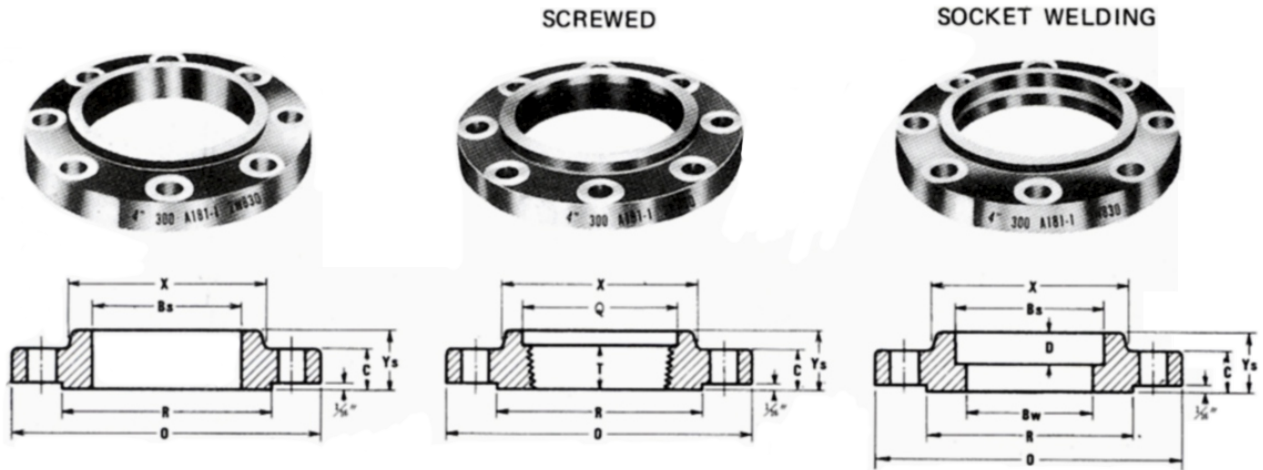




300 LB

ANSI B16.5 FORGED FLANGES



Nominal Pipe Size	Common Dimensions				Dia Of hub at bevel A	Length Thru hub			Center-to-End		
	Outside Dia. of flange O	Thick. of flange C	Dia. of Hub at Base X	Dia. of Raised Face R		Slip-on screwed, socket Ys	Welding Neck Yw	Lap Joint Yl	Slip-on, Socket Bs	Welding Neck, Socket Bw	Lap Joint Bl
1/2	3 3/4	3/16	1 1/2	1 3/8	.84	7/8	2 1/16	7/8	.88	2.62	.90
3/4	4 3/8	5/8	1 7/8	1 11/16	1.05	1	2 1/4	1	1.09	.82	1.11
1	4 3/8	1 1/16	2 1/8	2	1.32	1 1/16	2 3/16	1 1/16	1.36	1.05	1.38
1 1/4	5 1/4	3/4	2 1/2	2 1/2	1.66	1 1/16	2 5/16	1 1/16	1.70	1.38	1.72
1 1/2	6 1/8	13/16	2 3/4	2 7/8	1.90	1 3/16	2 11/16	1 3/16	1.95	1.61	1.97
2	6 1/2	7/8	3 3/16	3 3/8	2.38	1 5/16	2 3/4	1 5/16	2.44	2.07	2.46
2 1/2	7 1/2	1	3 15/16	4 1/8	2.88	1 1/2	3	1 1/2	2.94	2.47	2.97
3	8 1/4	1 1/8	4 5/8	5	3.50	1 11/16	3 1/8	1 11/16	3.57	3.07	3.60
3 1/2	9	1 3/16	5 1/2	5 1/2	4.00	1 3/4	3 3/16	1 3/4	4.07	3.55	4.10
4	10	1 1/4	5 3/4	6 3/16	4.50	1 7/8	3 3/8	1 7/8	4.57	4.03	4.60
5	11	1 3/8	7	7 5/16	5.56	2	3 7/8	2	5.66	5.05	5.69
6	12 1/2	1 7/16	8 1/8	8 1/2	6.63	2 1/16	3 7/8	2 1/16	6.72	6.07	6.75
8	15	1 5/8	10 1/4	10 5/8	8.63	2 7/16	4 3/8	2 7/16	8.72	7.98	8.75
10	17 1/2	1 7/8	12 3/8	12 3/4	10.75	2 5/8	4 5/8	3 3/4	10.88	10.02	10.92
12	20 1/2	2	14 3/4	15	12.75	2 7/8	5 1/8	4	12.88	12.00	12.92
14	23	2 1/8	16 3/4	16 1/4	14.00	3	5 5/8	4 3/8	14.14	13.25	14.18
16	25 1/2	2 1/4	19	18 1/2	16.00	3 1/4	5 3/4	4 3/4	16.16	15.25	16.19
18	28	2 3/8	21	21	18.00	3 1/2	6 1/4	5 1/8	18.18	17.25	18.20
20	30 1/2	2 1/2	23 3/8	23	20.00	3 3/4	6 3/8	4 1/2	20.20	19.25	20.25
24	36	2 3/4	27 5/8	27 1/4	24.00	4 3/16	6 5/8	6	24.25	23.25	24.25

* Material: To be specified when ordering. See Page

* Dimensional Tolerances: See Page 18

* Facing Details of Ring joint: See Page 16-17

