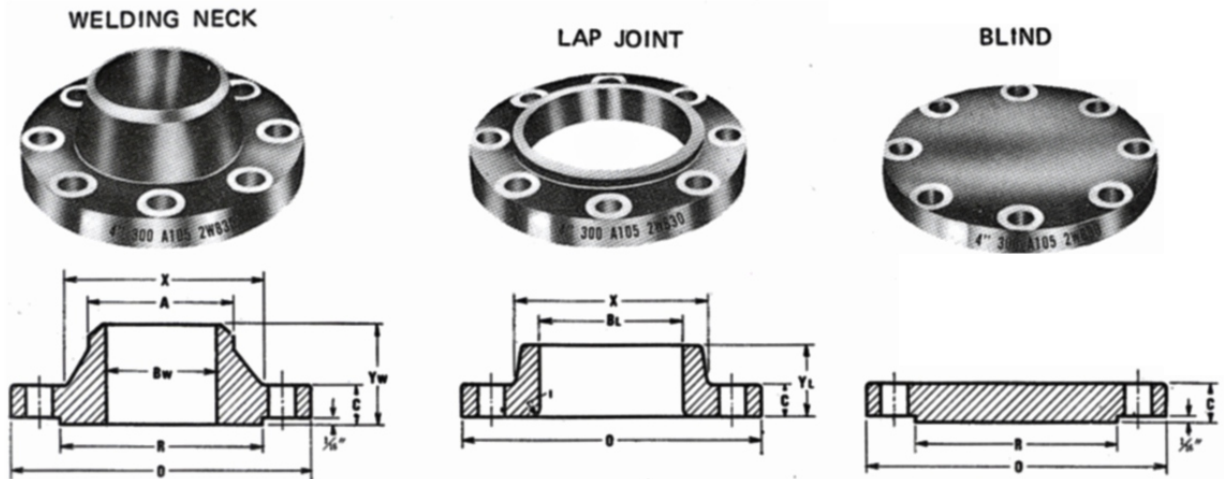




ANSI B16.5 FORGED FLANGES

300 LB



Radius of Filed r	Minimum thread length T	Depth of Socket D	Drilling				Center-to-End			Counter Bore Screwed Flange Min Q	Nominal Pipe Size
			Dia. of Bolt Circle	Number Of Bolts	Dia. of Bolts	Dia. of Bolts Holes	Stud Bolts		Machine Bolts 1/16" R.F.		
							1/16" Raised Face	Ring Joint			
1/8	5/8	3/8	2 5/8	4	1/2	5/8	2 1/2	3	2	0.93	1/2
1/8	5/8	7/16	2 1/4	4	5/8	3/4	2 3/4	3 1/4	2 1/2	1.14	3/4
1/8	1 1/16	1/2	3 1/2	4	5/8	3/4	3	3 1/2	2 1/2	1.41	1
3/16	1 3/16	9/16	3 7/8	4	5/8	3/4	3	3 3/2	2 3/4	1.75	1 1/4
1/4	7/8	5/8	4 1/2	4	3/4	7/8	3 1/2	4	3	1.99	1 1/2
5/16	1 1/8	1 1/16	5	8	5/8	3/4	3 3/4	4	3	2.50	2
5/16	1 1/4	3/4	5 7/8	8	3/4	7/8	3 3/4	4 1/2	3 3/4	3.00	2 1/2
3/8	1 1/4	13/16	6 5/8	8	3/4	7/8	4	4 3/4	3 1/2	3.63	3
3/8	1 7/16	-	7 1/4	8	3/4	7/8	4 1/4	5	3 3/4	4.13	3 1/2
7/16	1 7/16	-	7 7/8	8	3/4	7/8	4 1/4	5	3 3/4	4.63	4
7/16	1 1 1/16	-	9 1/4	8	3/4	7/8	4 1/2	5 1/4	4	5.69	5
1/2	1 13/16	-	10 5/8	12	3/4	7/8	4 3/4	5 1/2	4 1/4	6.75	6
1/2	2	-	13	12	7/8	1	5 1/4	6	4 3/4	8.75	8
1/2	2 3/16	-	15 1/4	16	1	1 1/8	6	6 3/4	5 1/4	10.88	10
1/2	2 3/8	-	17 3/4	16	1 1/8	1 1/4	6 1/2	7 1/4	5 3/4	12.94	12
1/2	2 1/2	-	20 1/4	20	1 1/8	1 1/4	6 3/4	7 1/2	6	14.99	14
1/2	2 1 1/16	-	22 1/2	20	1 1/4	1 3/8	7 1/4	8	6 1/2	16.19	16
1/2	2 3/4	-	24 3/4	24	1 1/4	1 3/8	7 1/2	8 1/4	6 3/4	18.19	18
1/2	2 7/8	-	27	24	1 1/4	1 3/8	8	8 3/4	7	20.19	20
1/2	3 1/4	-	32	24	1 1/2	1 5/8	9	10	7 3/4	24.19	24

The 1/16" Raised Face is included in Thickness C and Length Y.

